

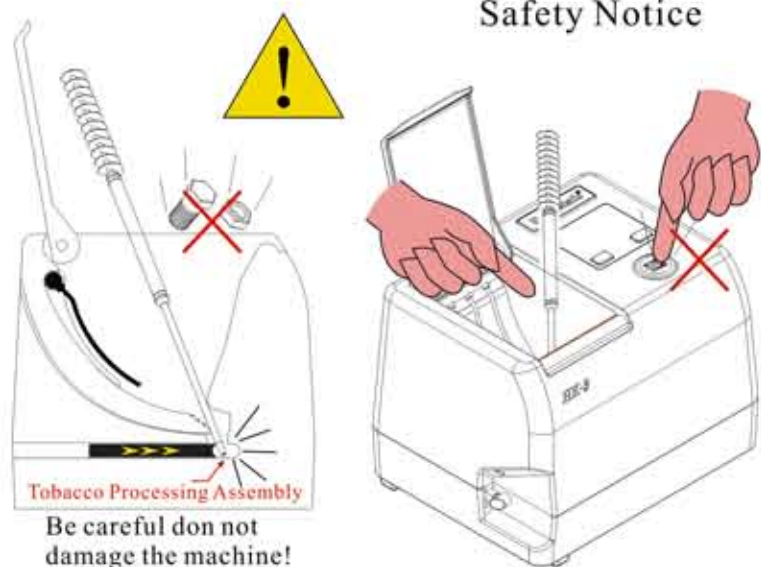
Hawk-Matic® HK-3 Personal RYO Machine

Quick Start Manual
Hawkmatic.eu



Hawkmatic.eu

Safety Notice

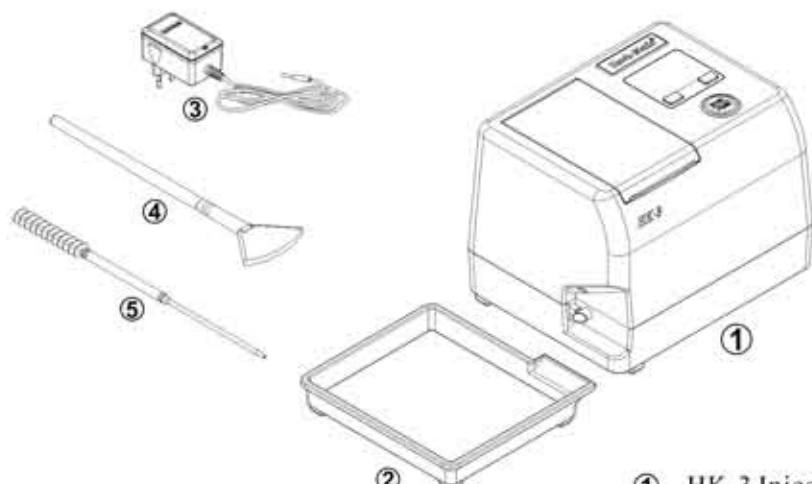


Tobacco Processing Assembly
Be careful don't damage the machine!

1. Minors are prohibited from using this product.
2. Do not put in any foreign objects in machine when operating.
3. Please shut off switch before you put tools in the tobacco processing assembly.

1

Technical Data & Accessories

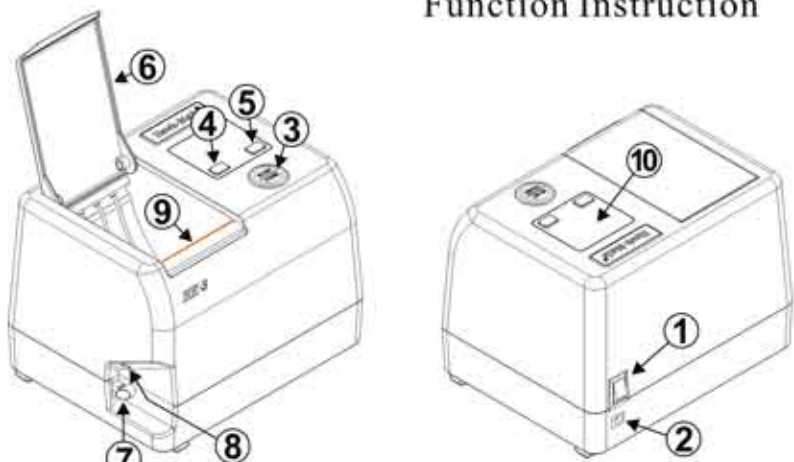


Model: HK-3
Input: 100V-240V 50Hz-60Hz 5A
Output: DC +12V 25W

- ① HK-3 Injector
- ② Tray
- ③ Adapter
- ④ Brush
- ⑤ Probe

2

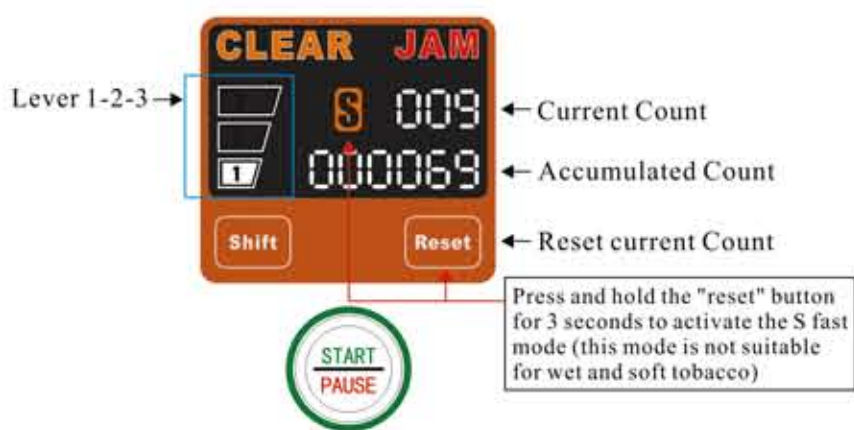
Function Instruction



- ① Switch
- ② DC Plug
- ③ Start/Pause with Indicator Light
- ④ Shift
- ⑤ Reset
- ⑥ Hopper Lid
- ⑦ Nozzle of Filling Pipe
- ⑧ Nozzle Light
- ⑨ Hopper Light
- ⑩ Screen

3

Function on Screen



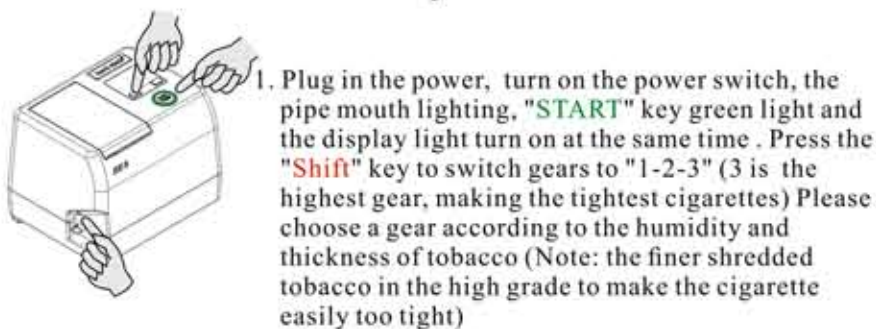
- Lever 1-2-3 →
- ← Current Count
- ← Accumulated Count
- ← Reset current Count

Press and hold the "reset" button for 3 seconds to activate the S fast mode (this mode is not suitable for wet and soft tobacco)

- The green light is always on to indicate normal. A green flashing light indicates waiting or pause (see 1-5 for details)
- The red light flashes to indicate a light blockage. Press "START" to restore the machine to normal (see 1-6)
- The red light is always on, indicating heavy clogging. You need to clean the blocked tobacco manually (see 1-6 for details)

4

Operation Instruction



1. Plug in the power, turn on the power switch, the pipe mouth lighting, "START" key green light and the display light turn on at the same time. Press the "Shift" key to switch gears to "1-2-3" (3 is the highest gear, making the tightest cigarettes) Please choose a gear according to the humidity and thickness of tobacco (Note: the finer shredded tobacco in the high grade to make the cigarette easily too tight)



2. Open the flip cover (hopper light is on) → Put the tobacco into it → Close the flip cover (hopper light is off) → Put the empty pipe on the outlet → Press the "START" key, after the first cigarette is assembled, The hopper will automatically prepare the next required tobacco. This time, you can set the empty pipe in advance and press the "START" key to give the machine instructions (Green light is flashing indicates that the command has been given to the machine)

5

Operation Instruction



3. The display "CLEAR" lights up, the hopper light flashes indicating that there is no tobacco material in the hopper, or tobacco entanglement and agglomeration, the machine is clogged and needs to loose the tobacco manually, after this operation, the machine will default clean up the tobacco in the extrusion chamber

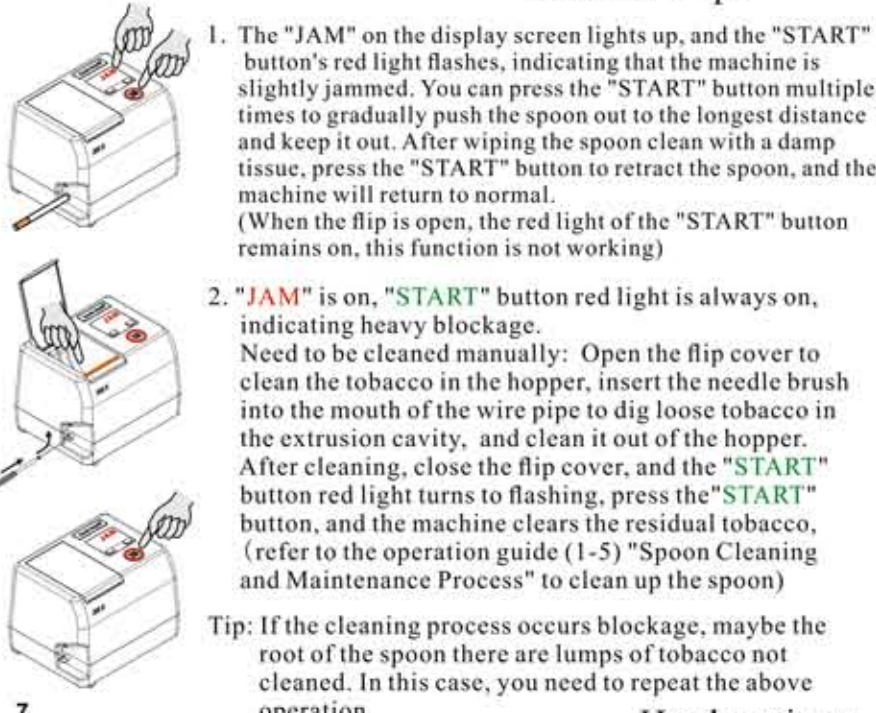
4. Machine cleaning after end of work

Hopper cleaning and maintenance:
Open the flip cover, and use a brush to sweep the residual tobacco in the hopper into the extrusion chamber. Press the "START" key to keep the flip cover open, and repeat the operation to clean it up.

Spoon cleaning and maintenance:
During the cleaning when the flip cover is opened, press the "PAUSE" button when the spoon is completely out, clean and wipe the spoon (Green light flashes during the pause), and then press the "START" button to complete the cleaning.

6

Jammed Tips



1. The "JAM" on the display screen lights up, and the "START" button's red light flashes, indicating that the machine is slightly jammed. You can press the "START" button multiple times to gradually push the spoon out to the longest distance and keep it out. After wiping the spoon clean with a damp tissue, press the "START" button to retract the spoon, and the machine will return to normal. (When the flip is open, the red light of the "START" button remains on, this function is not working)
2. "JAM" is on, "START" button red light is always on, indicating heavy blockage.
Need to be cleaned manually: Open the flip cover to clean the tobacco in the hopper, insert the needle brush into the mouth of the wire pipe to dig loose tobacco in the extrusion cavity, and clean it out of the hopper. After cleaning, close the flip cover, and the "START" button red light turns to flashing, press the "START" button, and the machine clears the residual tobacco, (refer to the operation guide (1-5) "Spoon Cleaning and Maintenance Process" to clean up the spoon)

Tip: If the cleaning process occurs blockage, maybe the root of the spoon there are lumps of tobacco not cleaned. In this case, you need to repeat the above operation

7

Hk3 use suggestions

Please choose a appropriate tobacco to avoid fine-cut or long-cut tobacco.

Fine-cut tobacco will make the machine clog easily, and the cigarettes tend to be too tight.

Long-cut tobacco will make feed materials into hopper difficulty, and make cigarettes tight unevenly.

Website: www.Hawkmatic.eu
Email: info@hawkmatic.eu

Hawkmatic.eu